



268
HANDHELD CASES

292
UNIVERSAL ENCLOSURES

318
HEAVY DUTY AND ELECTRICAL ENCLOSURES

342
DESKTOP AND INSTRUMENT CASES

348
DEVELOPMENT BOARD ENCLOSURES

367
VERSATILE IOT AND SENSOR ENCLOSURES

370
CUSTOM SIZED ENCLOSURES

PLASTIC ENCLOSURES

1

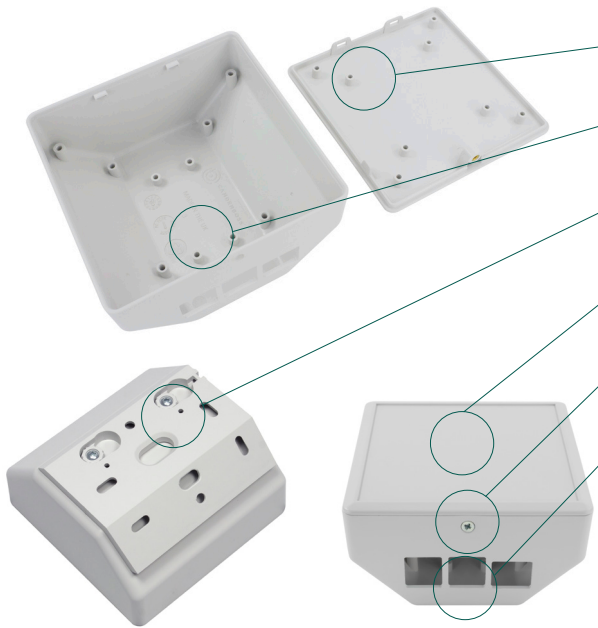
1500 Series Pi Ready Universal Smart Enclosure

Product overview

The UK manufactured 1500 Series Pi Ready Universal Smart Enclosure kit has been customised to accommodate Raspberry Pi boards. It has a premium quality and modern aesthetic with many features and benefits and is available in black, white or grey. This innovative and versatile 45° angled enclosure and bracket allows it to be mounted directly onto irregular corners and walls.



Key features



Multiple PCB mounting points

Designed to accommodate Raspberry Pi boards.

Wall mount bracket mounting points

For attaching the bracket to the back of the enclosure

Mount to walls or corners with ease

With the innovative 45° angled bracket

Recessed lid

Perfect for adding digital printing, labels or keypads

Secured by a single screw

Allowing for quick and easy assembly

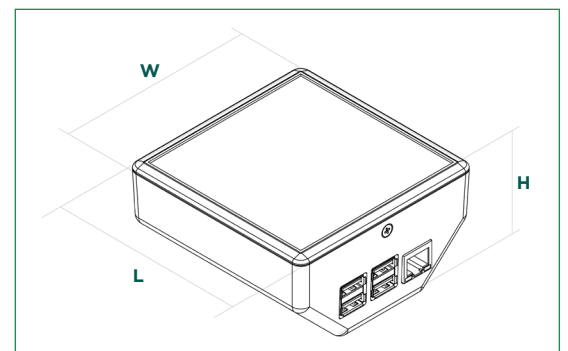
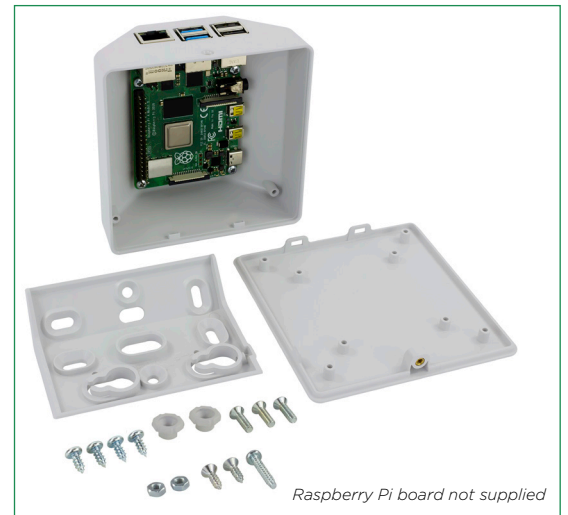
Raspberry Pi cutouts

RJ45 and USB cutouts, allowing for quick and easy assembly*

PART NUMBERS		
GREY (GY)	BLACK (BK)	WHITE (WH)
CB1500-10SGY-KIT-Pi4	CB1500-10SBK-KIT-Pi4	CB1500-10SWH-KIT-Pi4

INCLUDED WITH KIT	
PART DESCRIPTION	QUANTITY PER KIT
Enclosure (base and lid)	1
Lid screws (M3 x10mm CSK Pozl)	1
Lug screws (2 x No 4 x 3/8" Pan Pozl self tapping & 2 x M3 x10mm CSK Pozl)	4
Wall mount lugs	2
Lug nuts (M3 full nut)	2
45° wall mount bracket	1
Wall mount security screw (No. 4 x 5/8" self tapping)	1
Pi mounting screws (No 4 x 1/4" Pan Pozl)	4

INDIVIDUAL SIZE DIMENSIONS		
EXTERNAL DIMENSIONS (LxWxH)	INTERNAL DIMENSIONS (LxWxH)	WALL THICKNESS
100mm x 100mm x 53.2mm	96mm x 96mm x 48.2mm	2mm



*Designed for PoE power supply, side cutouts for USB power and HDMI (not included). Custom versions available upon request

+44 (0)1638 716101 | sales@camdenboss.com | www.camdenboss.com

We operate a constant improvement policy, our products are subject to change without notice.

Vers 1



FM 28614



Mounted using DIN Rail mount bracket accessory

Mounting options include, but are not limited to:

- Corner mounting (ceiling to wall / wall to wall)
- Irregular walls or corners
- 45° angled up / down / left / right
- Mounted flat to a wall or surface
- Desk mounted at 45°

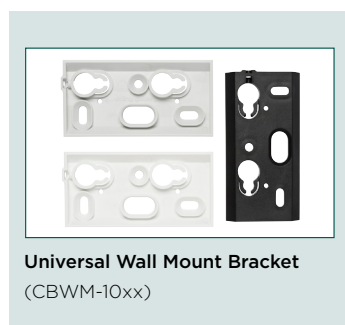


RANGE SPECIFICATION				
KIT INCLUDES	1 x base, 1 x lid, 1 x lid screw, 1 x wall mount bracket, 2 x wall mount lugs, 4 x lug screws, 2 x lug nuts (M3 full nut), 1 x wall mount security screw, 4 x Pi mounting screws			
MATERIALS	Enclosure	UL94-V0 ABS		
	Wall Mount Bracket	UL94-V0 ABS		
	Wall Mount Lugs	UL94-V0 ABS		
	M3 Insert (Lid)	Brass		
	All Screws / Nuts	BZP (Bright Zinc plated Steel)		
COLOURS	Grey	RAL7047		
	Black	RAL9005		
	White	RAL9003		
COMPLIANCE	RoHS compliant			
IP RATING	IP30			
OPERATING TEMPERATURE	-10°C to +80°C			
TEST RESULTS	Standard	Test	Result	Test report
	UL94	Flammability	V0	TR101
	EN 62208	Thermal stability	Pass	TR105
	EN 62208	Static loads	200g	TR100
	EN 62208	Marking	Pass	N/A
SCREW TORQUE	Self tapping (security and mounting lugs)		0.2Nm	Max insertions =2
	M3 (Lid and Mounting Lugs)		0.5Nm	Max insertions >1000
PURCHASING INFORMATION	Country of origin	Great Britain (GB)		
	Commodity code	3923101000		
	Weight	87g		
	Enclosure type	Development board		
OPTIONS	For alternative colours and materials MOQs will apply.			

Potential industries / applications

Safety monitoring, door entry control, security sensors, social distance monitoring, Pi camera, Pi screen, IoT and more.

Accessories



Customisation options

Digital printing, screen printing, machining / drilling and engraving.

